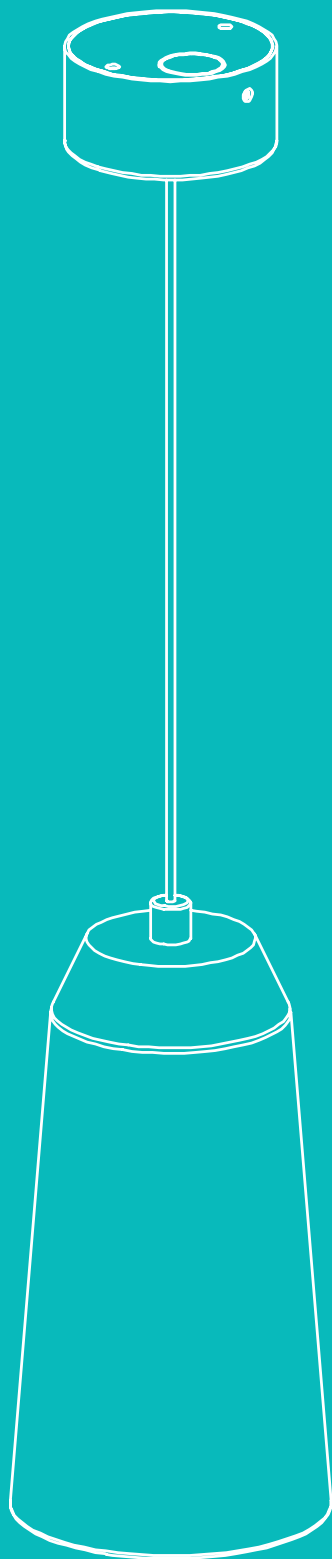


HiB

MAKING
BATHROOMS
BEAUTIFUL

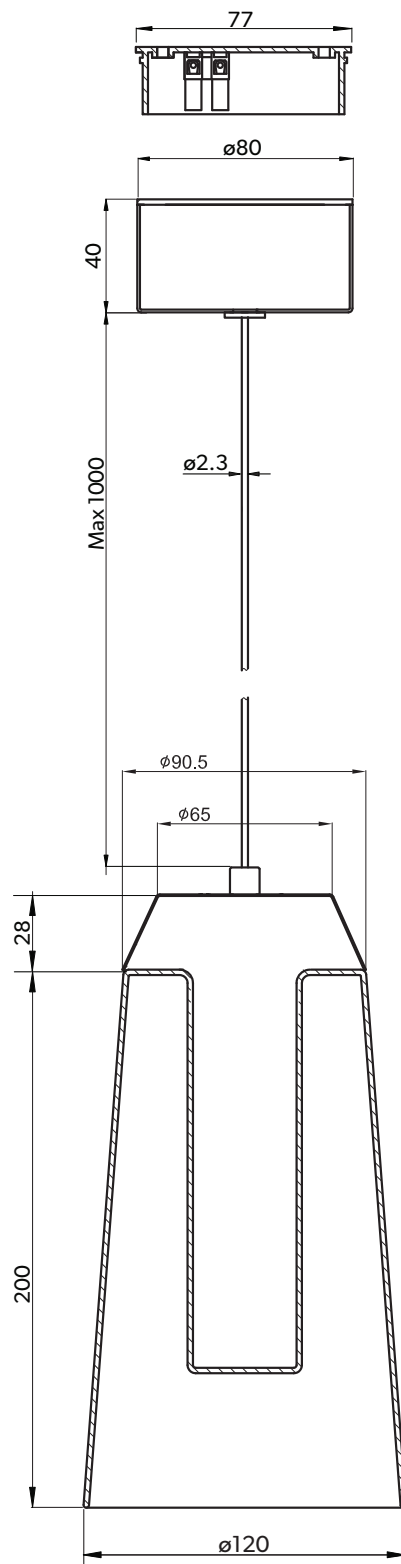
Technical Drawing & FAQ Data Sheets



Rise Pendant Light

HiB recommend you receive the product before commencing with installation as all sizes and measurements are approximate.
HiB try and ensure all measurements are as accurate as possible.
In the interest of continuous product development, HiB reserves the right to alter specification as necessary. E & OE.

Rise
Art no. 0770



Electrical Safety Information


HiB recommends that all electrical bathroom products should only be fitted by a suitably qualified, Part P registered electrician in accordance with current IEE regulations.

Ensure mains power supply is switched off before starting installation.

Before drilling, ensure there are no hidden cables or pipes in the wall.

Rise Pendant Light

Product FAQ Data Sheet

		Version No. 04.10.21
	Product	Rise Pendant Light
	Art. No.	0770
	Product Description	Adjustable length hanging pendant IP44 light with cool white LED illumination

Question	Answer
Nett weight (kg)	Nett: 0.71kg Goss: 0.92kg
Light source	LED
Light source average lifespan	Average: 20,000 hr
Total rated wattage (W)	6w
Lumens (Lm)	600lm
Kelvins (k)	4000k
Is the pendant light dimmable?	No
Energy rating	E
Does the pendant light require an earth connection?	No
Is the pendant light cool white or warm white illumination?	The pendant light is cool white illumination only
What IP rating is the pendant light?	The pendant light is IP44 rated
How long is the warranty?	2 years from date of purchase on electrical components in the pendant light

Electrical Safety Information

HiB recommends that all electrical bathroom products should only be fitted by a suitably qualified, Part P registered electrician in accordance with current IEE regulations.

Ensure mains power supply is switched off before starting installation.

Before drilling, ensure there are no hidden cables or pipes in the wall.

HiB recommend you receive the product before commencing with installation as all sizes and measurements are approximate.

HiB try and ensure all measurements are as accurate as possible.

In the interest of continuous product development, HiB reserves the right to alter specification as necessary. E & OE.

T: +44 (0)20 8441 0352 F: +44 (0)208441 0219 E: sales@hib.co.uk W: hib.co.uk

HiB Ltd. Building 3, North London Business Park, Oakleigh Road South, New Southgate, London. N11 1GN