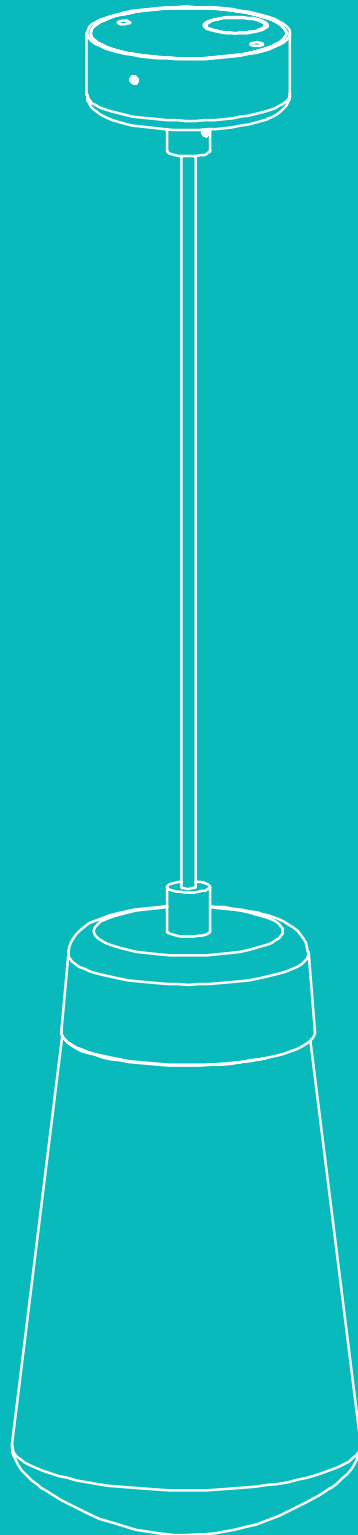


HiB

MAKING
BATHROOMS
BEAUTIFUL

Technical Drawing & FAQ Data Sheets

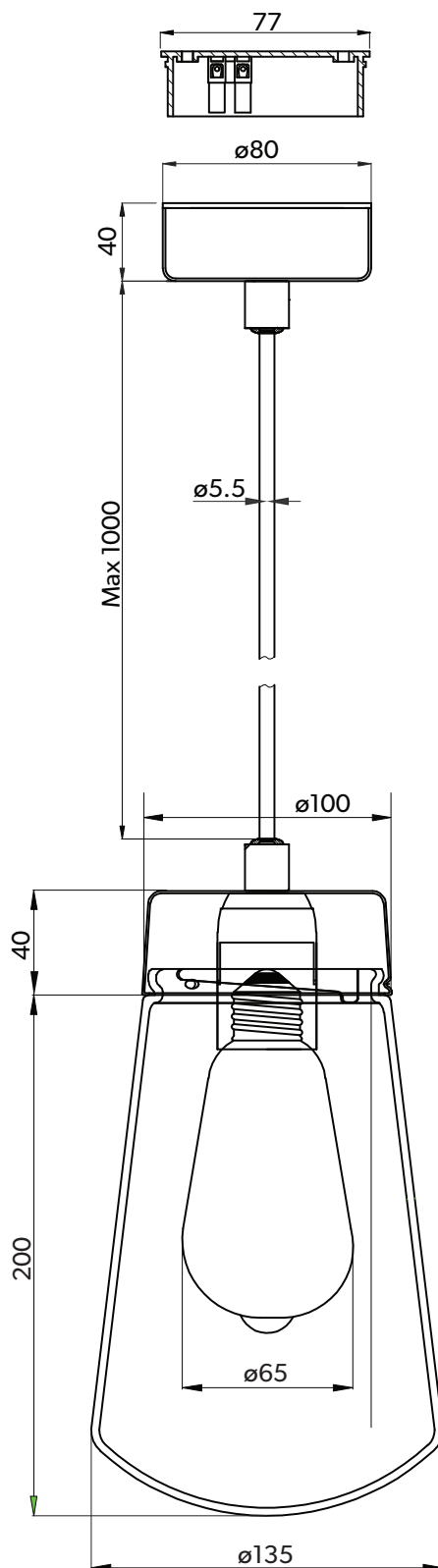


Summit Pendant Light

HiB recommend you receive the product before commencing with installation as all sizes and measurements are approximate.
HiB try and ensure all measurements are as accurate as possible.
In the interest of continuous product development, HiB reserves the right to alter specification as necessary. E & OE.

Summit

Art no. 0760



Electrical Safety Information

HiB recommends that all electrical bathroom products should only be fitted by a suitably qualified, Part P registered electrician in accordance with current IEE regulations.


Ensure mains power supply is switched off before starting installation.

Before drilling, ensure there are no hidden cables or pipes in the wall.

Summit Pendant Light

Product FAQ Data Sheet

Version No. 04.10.21

	Product	Summit Pendant light
	Art. No.	0760
	Product Description	Adjustable length hanging pendant IP44 light with cool white LED illumination

Question	Answer
Nett weight (kg)	Nett: 0.92kg Gross: 1.1kg
Light source	LED
Light source average lifespan	Average: 20,000 hr
Total rated wattage (W)	6.5w
Lumens (Lm)	600lm
Kelvins (k)	2200k
Is the pendant light dimmable?	No
Energy rating	E
Does the pendant light require an earth connection?	Yes
Is the pendant light cool white or warm white illumination?	The pendant light is cool white illumination only
What IP rating is the pendant light?	The pendant light is IP44 rated
Is the lamp replacable?	The lamp in the pendant can be replaced with a LED E27 lamp
How long is the warranty?	2 years from date of purchase on electrical components in the pendant light

Electrical Safety Information

HiB recommends that all electrical bathroom products should only be fitted by a suitably qualified, Part P registered electrician in accordance with current IEE regulations.

Ensure mains power supply is switched off before starting installation.

Before drilling, ensure there are no hidden cables or pipes in the wall.

HiB recommend you receive the product before commencing with installation as all sizes and measurements are approximate.

HiB try and ensure all measurements are as accurate as possible.

In the interest of continuous product development, HiB reserves the right to alter specification as necessary. E & OE.

T: +44 (0)20 8441 0352 F: +44 (0)208441 0219 E: sales@hib.co.uk W: hib.co.uk

HiB Ltd. Building 3, North London Business Park, Oakleigh Road South, New Southgate, London. N11 1GN