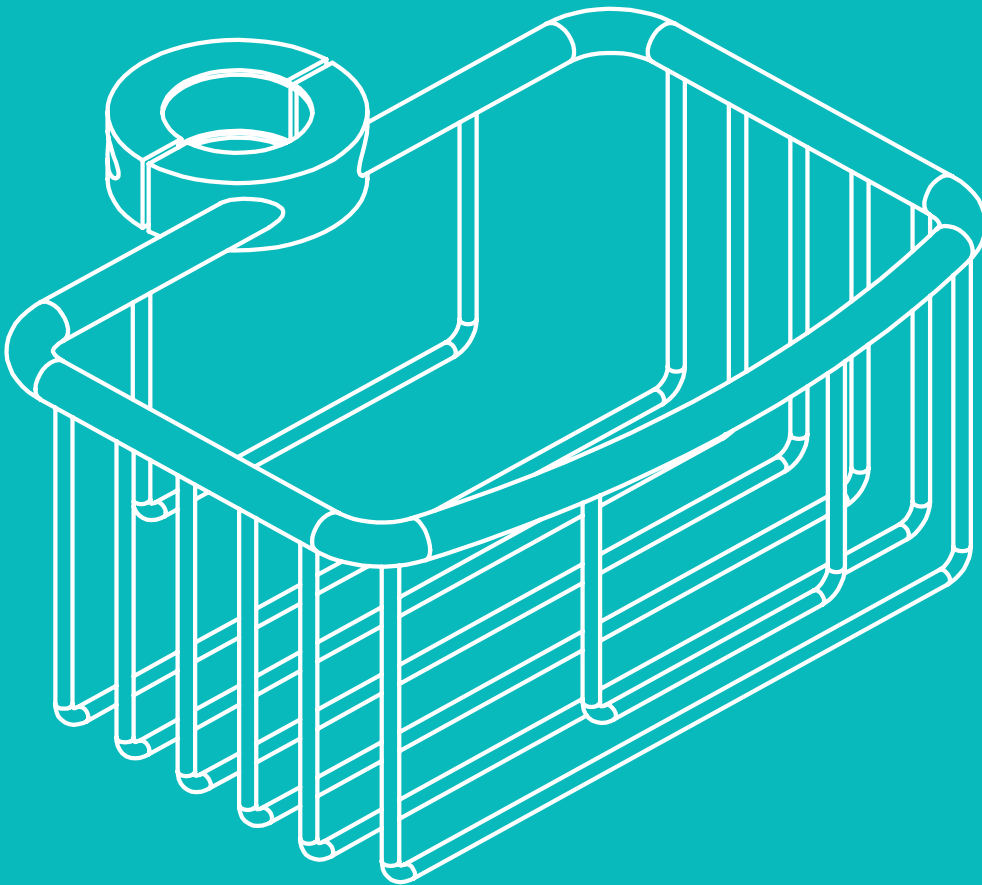


HiB

MAKING
BATHROOMS
BEAUTIFUL

**Technical Drawing &
FAQ Data Sheets**

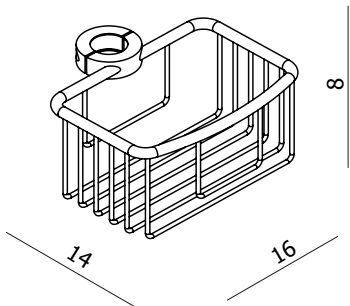
10
YEAR
GUARANTEE



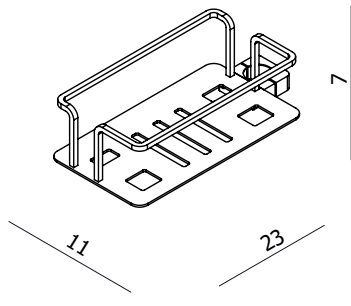
Shower Baskets

HiB recommend you receive the product before commencing with installation as all sizes and measurements are approximate.
 HiB try and ensure all measurements are as accurate as possible.
 In the interest of continuous product development, HiB reserves the right to alter specification as necessary. E & OE.

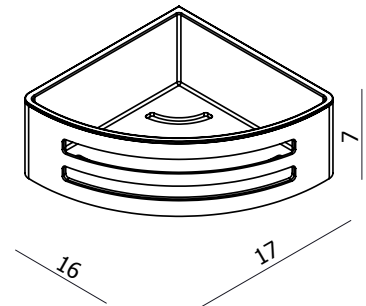
Shower Baskets



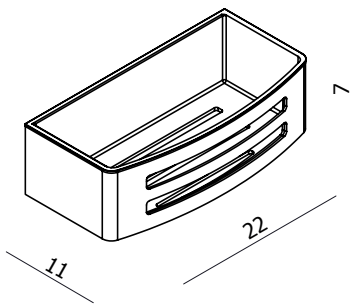
Article No.: ACSBCH01



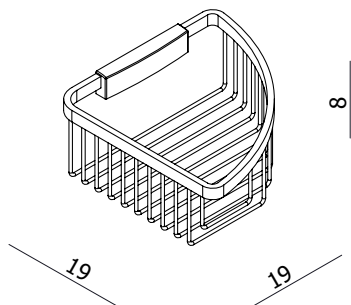
Article No.: ACSBCH02



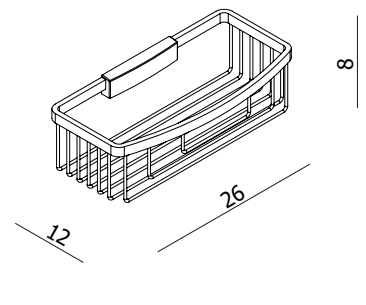
Article No.: ACSBCH03
 Article No.: ACSBBK03



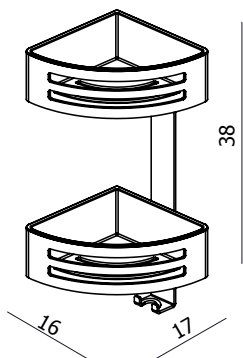
Article No.: ACSBCH04



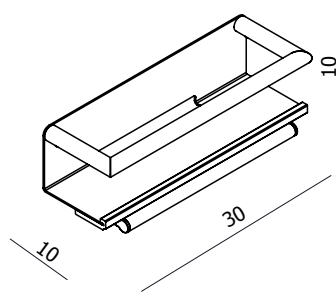
Article No.: ACSBCH05
 Article No.: ACSBBK01



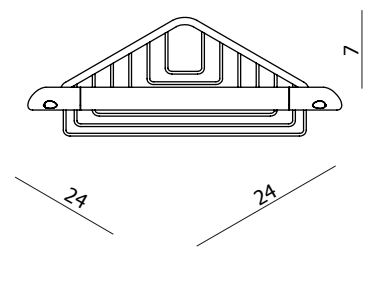
Article No.: ACSBCH06
 Article No.: ACSBBK02



Article No.: ACSBCH07
 Article No.: ACSBBK07




Article No.: ACSBCH08
 Article No.: ACSBBK08



Article No.: ACSBCH09

Version No. 21.06.2021

	Product	Shower Basket Accessory Series
	Product Description	A stylish range of shower baskets offering compact space saving, and easy-clean design features

Question	Article No	Answer
Accessory main material	ACSBCH01 ACSBCH02 ACSBCH05 ACSBCH06 ACSBCH09* ACSBBK01 ACSBBK02	Brass Composite *TPE Grip
	ACSBCH03 ACSBCH04 ACSBCH07 ACSBCH08*	Stainless Steel *Squeegee : Aluminium
Available finishes	ACSBCH03 ACSBCH04 ACSBCH07	Chrome with anthracite tray
	ACSBCH01 ACSBCH02 ACSBCH05 ACSBCH06 ACSBCH08 ACSBCH09*	Chrome *Grip - anthracite
	ACSBBK01 ACSBBK02 ACSBBK03 ACSBBK07 ACSBBK08	Black
How long is the warranty?	ALL	10 years from date of purchase
Maximum Load Capacity*	ACSBCH08	7kg
	ACSBCH09	120kg

* The load capacities detailed are a guide only. The load capacity of the product will vary according to the type and strength of the wall onto which it is fixed and the fixings that are used. For different wall types you will need to ensure that you are using the correct type of fixing for the material of the wall. The addition of backboards or appropriate strengthening of internal structures may be required to provide adequate wall strength.

Installation caution

Before drilling, ensure there are no hidden cables or pipes in the wall.

HiB recommend you receive the product before commencing with installation as all sizes and measurements are approximate.

HiB try and ensure all measurements are as accurate as possible.

In the interest of continuous product development, HiB reserves the right to alter specification as necessary. E & OE.

T: +44 (0)20 8441 0352 F: +44 (0)208441 0219 E: sales@hib.co.uk W: hib.co.uk

HiB Ltd. Building 3, North London Business Park, Oakleigh Road South, New Southgate, London. N11 1GN