

CM800F/ CM600F / CM500F / CM450F COMPASS FLOOR MOUNTED UNITS

TAVISTOCK

FURNITURE AFTERCARE INSTRUCTIONS

Before You Start

- The product should only be installed by a suitably qualified / competent / experienced bathroom installer.
- Check the contents of the pack for defects before installation. The supplier will not accept any refitting costs if faulty product has been fitted.
- The furniture should only be installed in a well ventilated bathroom at a distance from bath / showers to avoid splashing. It should also be protected from any shower / handset spray by a shower screen or similar.
- Make sure the unit and basin are secured to a suitably strong / reinforced wall to ensure stability.

Caution

- Take care when using power tools near water - the use of a residual current device (RCD) is recommended.
- Beware of hidden pipes or cables.
- Wear suitable eye protection when drilling.
- Take care when drilling tiled surfaces as the drill might slip. We recommend using a piece of masking tape to prevent the drill from wandering.

Aftercare

Do ✓

- Wipe away any water splashes or condensation after use. Excessive exposure to water or sitting water will damage the furniture.
- Clean with a soft damp cloth with a mild detergent only. Surface should then be fully dried using a soft lint free cloth.
- A suitable limescale remover can be used on the BASIN ONLY if required but MUST be tested on an inconspicuous area of the basin.

Don't ✗

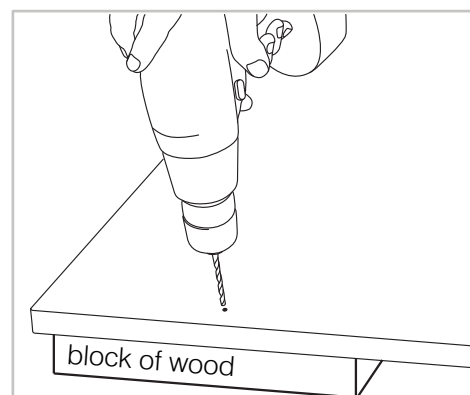
- Scrub or scour any part of the furniture or basin.
- Use furniture polish.
- Use abrasive or bleaching cleaning agents.
- Allow hot or sharp objects to contact the furniture or basin.

FITTING HANDLES

- Pilot holes on back face of door are positioned for the handle(s) included with furniture unit.
- If alternative handles are used please measure carefully before drilling.
- Carefully drill any holes using a clamped non-abrasive block of wood to protect the front of door (as per image below).
- Fix handle in positioning using screws supplied.

Door Reversibility

The door has two pilot holes on the top and bottom of the door to allow for reversibility. Ensure you are applying the handle to correct side.



CM800F/ CM600F / CM500F / CM450F COMPASS FLOOR MOUNTED UNITS

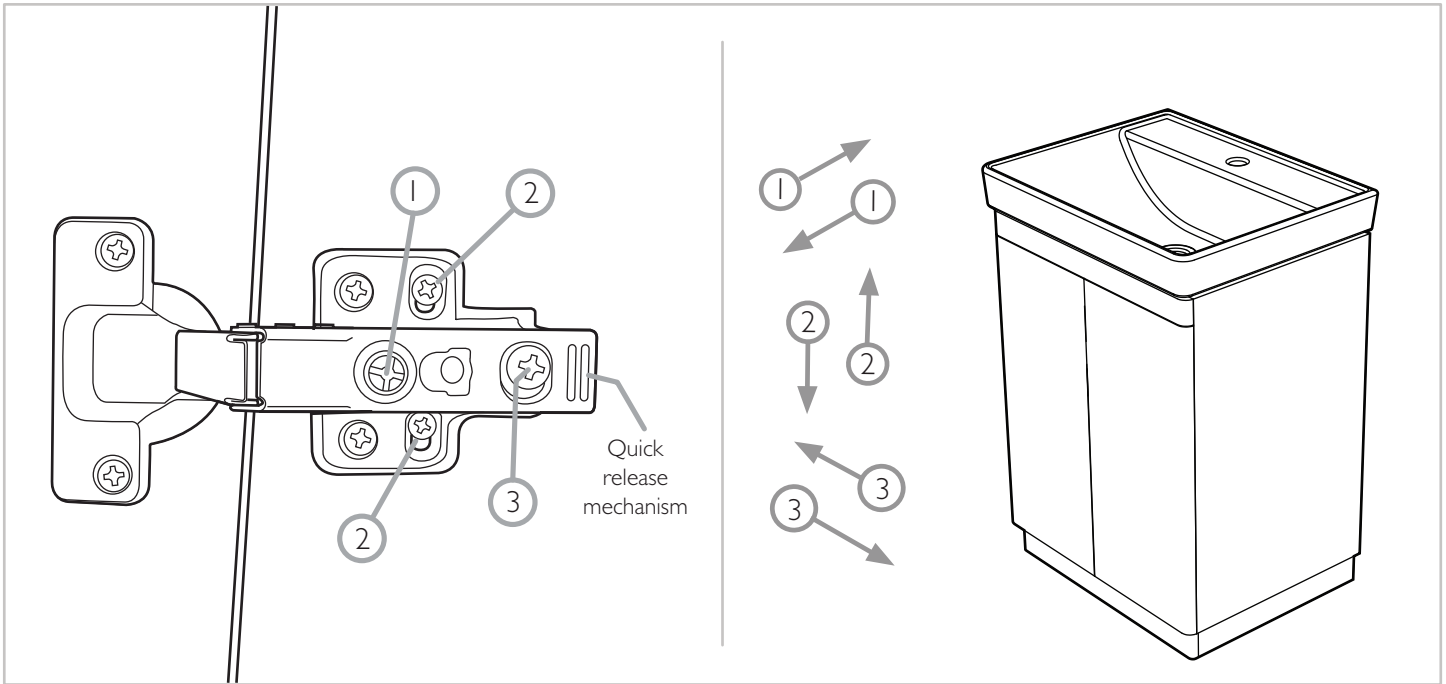
TAVISTOCK

INSTALLATION INSTRUCTIONS

For floor standing units intended to be attached to the building: **WARNING** in order to prevent overturning this product must be used with the wall attachment device provided.

Hinge Adjustment

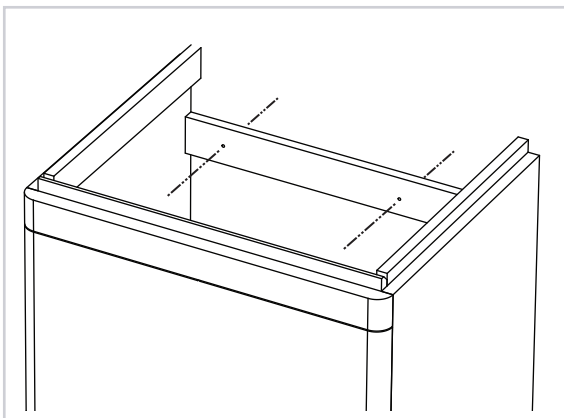
The unit doors can be adjusted or removed if necessary. There are three adjustment screws on the hinges which make the adjustments shown in the image below. The quick release button on the back of the hinge can be used to remove the door completely.



Affixing to the wall

To secure the floor mounted units to the wall, use suitable fixings to screw the unit through the holes in the back brace.

For floor standing units intended to be attached to the building: WARNING in order to prevent overturning this product must be used with the wall attachment device provided.



Installing Basin

- Once the basin is plumbed in, finish by securing to the washstand or wall with a silicone sealant (not supplied). This creates a water tight seal and prevents damage.

- Ensure silicone / sealant sits on outer edge of furniture to prevent any water pooling, see diagram for positioning.

