

# CM450W

## COMPASS CLOAKROOM WALL MOUNTED UNIT

# TAVISTOCK

### FURNITURE AFTERCARE INSTRUCTIONS

---

#### Before You Start

- The product should only be installed by a suitably qualified / competent / experienced bathroom installer.
- Check the contents of the pack for defects before installation. The supplier will not accept any refitting costs if faulty product has been fitted.
- The furniture should only be installed in a well ventilated bathroom at a distance from bath / showers to avoid splashing. It should also be protected from any shower / handset spray by a shower screen or similar.
- It is recommended that the unit and basin are secured to a suitably reinforced wall to ensure stability. This should be done using the wall hanging plates supplied. The wall fixings supplied are intended to be used on a solid brick wall. Check suitability before continuing.

#### Caution

- Take care when using power tools near water - the use of a residual current device (RCD) is recommended.
- Beware of hidden pipes or cables.
- Wear suitable eye protection when drilling.
- Take care when drilling tiled surfaces as the drill might slip. We recommend using a piece of masking tape to prevent the drill from wandering.

#### Aftercare

##### Do ✓

- Wipe away any water splashes or condensation after use. Excessive exposure to water or sitting water will damage the furniture.
- Clean with a soft damp cloth with a mild detergent only. Surface should then be fully dried using a soft lint free cloth.
- A suitable limescale remover can be used on the BASIN ONLY if required but MUST be tested on an inconspicuous area of the basin.

##### Don't ✗

- Scrub or scour any part of the furniture or basin.
- Use furniture polish.
- Use abrasive or bleaching cleaning agents.
- Allow hot or sharp objects to contact the furniture or basin.

### INSTALLING HANDLES

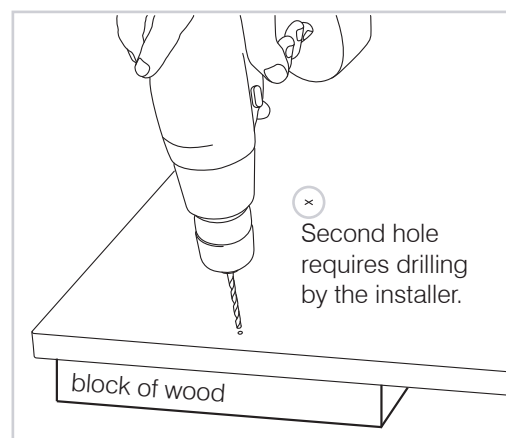
---

- Pilot holes on back face of door are positioned for the handle(s) included with furniture unit.
- If alternative handles are used please measure carefully before drilling.
- Carefully drill any holes using a clamped block of wood to protect the front of door.
- Fix handle in position using screws supplied.

#### Door Reversibility

The door has two pilot holes on the top and bottom of the door to allow for reversibility. Double check you are applying the handle to correct side.

To allow for different handle lengths, only one pilot hole is provided - the other must be marked and drilled by the installer.

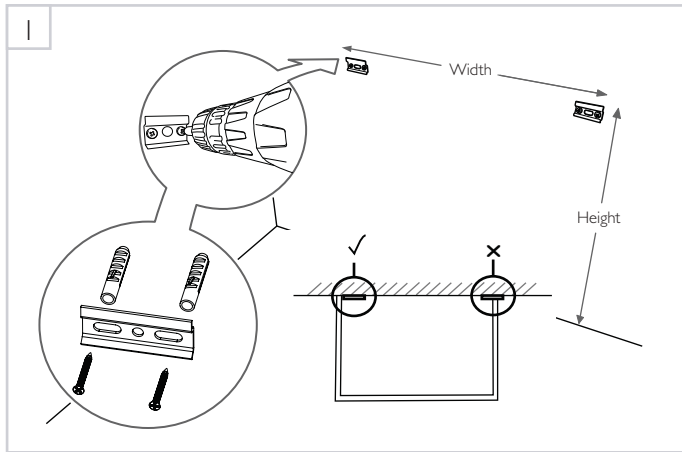


# CM450W COMPASS CLOAKROOM WALL MOUNTED UNIT

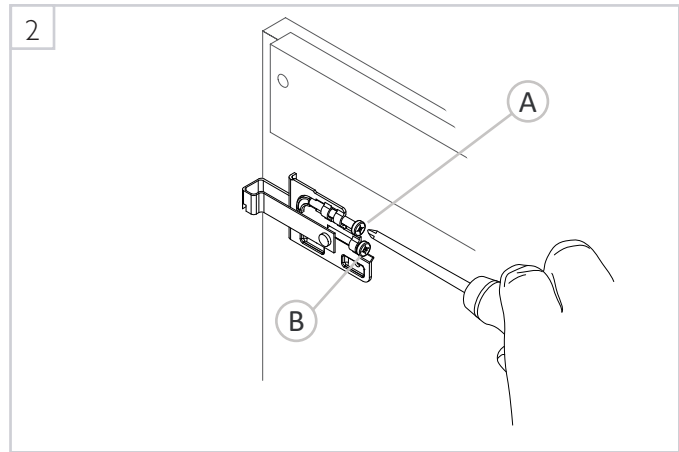
# TAVISTOCK

## WALL MOUNTING INSTRUCTIONS

**WARNING** in order to prevent falling down this product must be used with the wall attachment device provided.



Mark the location of each of the wall mounting plates ensuring that they are positioned inside the side walls of the unit. For each mounting plate drill two holes in the marked positions to a suitable depth.



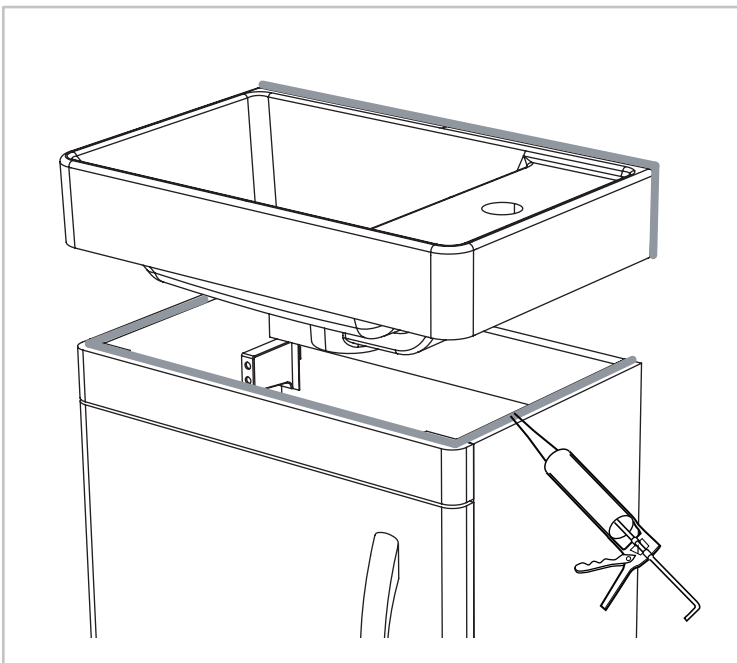
Remove the cover cap from the hangers.

Locate the unit and hangers onto the wall mounting plates.

First, level the unit using up/down adjustment by turning screw A. Then, tighten the unit against the wall by turning screw B.

Replace cover cap when complete.

## BASIN FITTING INSTRUCTIONS



- Once the basin is plumbed in, finish by securing to the washstand or wall with a silicone sealant (not supplied). This creates a water tight seal and prevents damage.

- Ensure silicone / sealant sits on outer edge of furniture to prevent any water pooling, see below diagram for positioning.

