

CM600FD

COMPASS FLOOR MOUNTED DOUBLE DRAWER UNIT

TAVISTOCK

FURNITURE AFTERCARE INSTRUCTIONS

Before You Start

- The product should only be installed by a suitably qualified / competent / experienced bathroom installer.
- Check the contents of the pack for defects before installation. The supplier will not accept any refitting costs if faulty product has been fitted.
- The furniture should only be installed in a well ventilated bathroom at a distance from bath / showers to avoid splashing. It should also be protected from any shower / handset spray by a shower screen or similar.
- Make sure the unit and basin are secured to a suitably strong / reinforced wall to ensure stability.

Caution

- Take care when using power tools near water - the use of a residual current device (RCD) is recommended.
- Beware of hidden pipes or cables.
- Wear suitable eye protection when drilling.
- Take care when drilling tiled surfaces as the drill might slip. We recommend using a piece of masking tape to prevent the drill from wandering.

Aftercare

Do ✓

- Wipe away any water splashes or condensation after use. Excessive exposure to water or sitting water will damage the furniture.
- Clean with a soft damp cloth with a mild detergent only. Surface should then be fully dried using a soft lint free cloth.
- A suitable limescale remover can be used on the BASIN ONLY if required but MUST be tested on an inconspicuous area of the basin.

Don't ✗

- Scrub or scour any part of the furniture or basin.
- Use furniture polish.
- Use abrasive or bleaching cleaning agents.
- Allow hot or sharp objects to contact the furniture or basin.

CM600FD

COMPASS FLOOR MOUNTED DOUBLE DRAWER UNIT

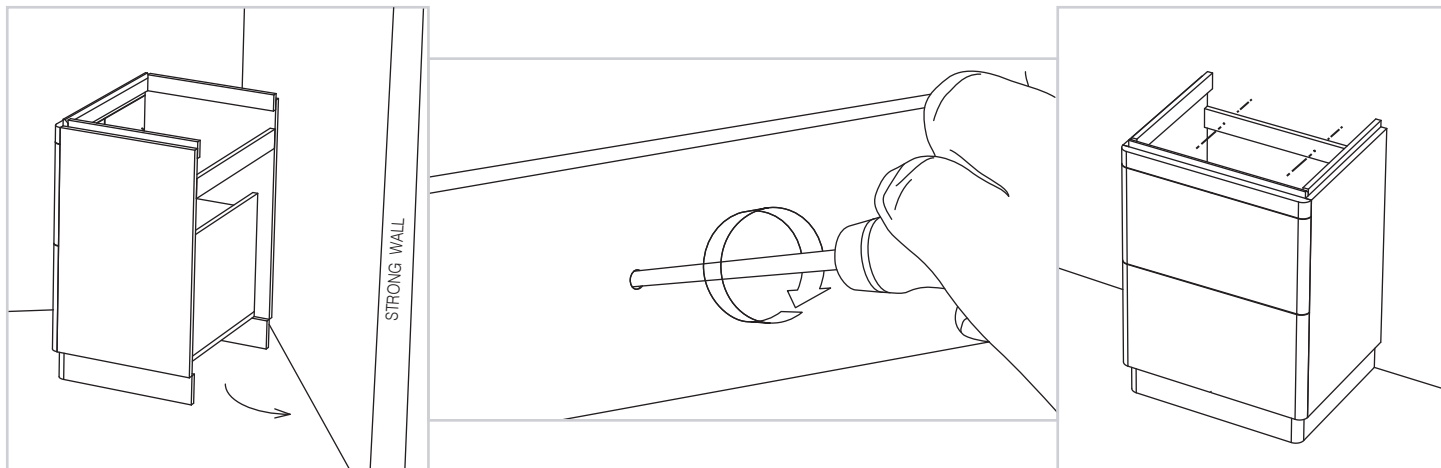
TAVISTOCK

IMPORTANT: TRANSIT RAIL

The furniture may be supplied with a transit rail fitted to protect the unit as it is delivered. The rail should be removed and disposed of prior to fitting the unit, done by unscrewing the brackets holding it in place. **The rail needs to be removed to allow the basin to be installed correctly.**

WALL MOUNTING INSTRUCTIONS

For floor standing units intended to be attached to the building: **WARNING** in order to prevent overturning this product must be used with the wall attachment device provided

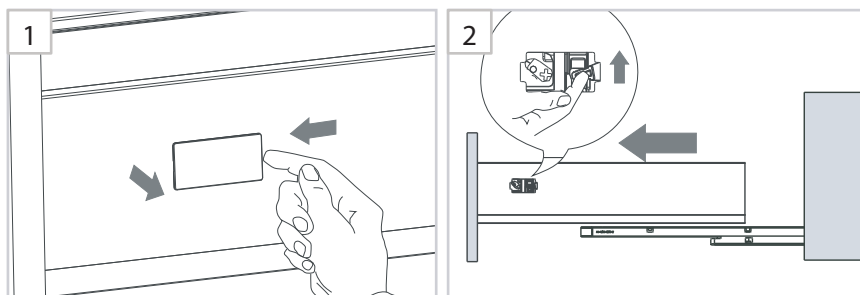


It is recommended that the unit and basin are secured to a suitably reinforced wall to ensure stability. This should be done using the wall hanging plates supplied. The wall fixings supplied are intended to be used on a solid brick walls. Check suitability before continuing.

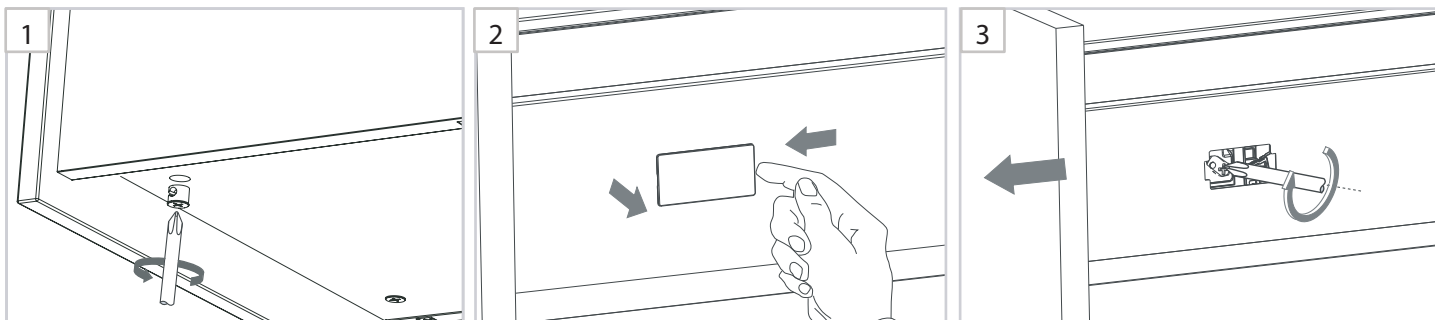
DRAWER REMOVAL AND FASCIA ADJUSTMENT

To remove drawer

If damaged, the drawer fascia can be removed and replaced by uncovering the mechanism on the outside of the drawer side.



To remove fascia



Ensure to release CAM Bolt on bottom face of drawer before releasing using mechanism. Do so by turning CAM head anti-clockwise to loosen.

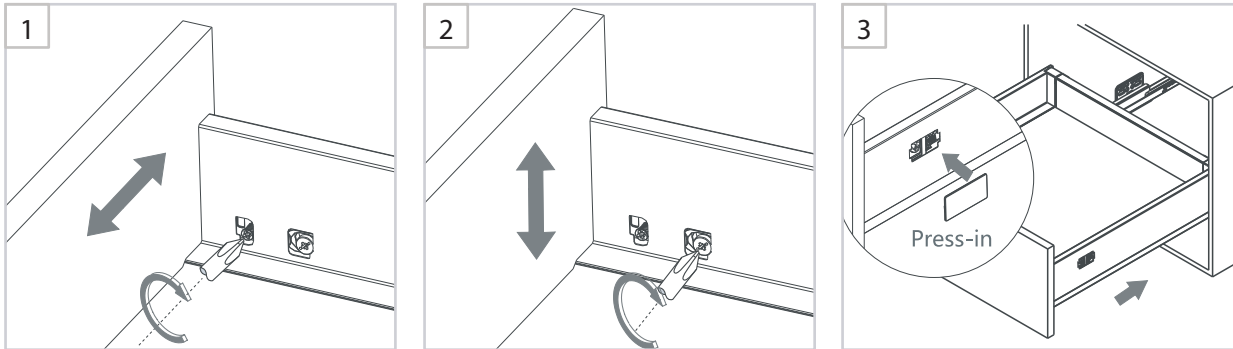
CM600FD COMPASS FLOOR MOUNTED DOUBLE DRAWER UNIT

TAVISTOCK

DRAWER REMOVAL AND FASCIA ADJUSTMENT CONTINUED

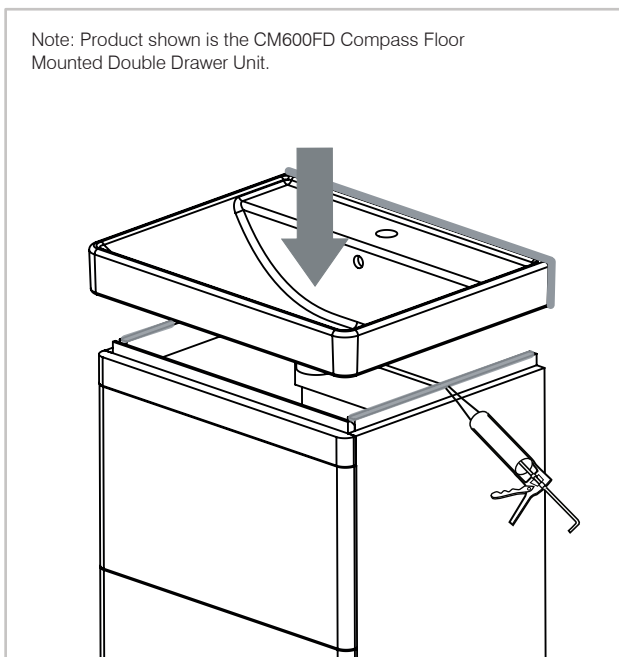
To adjust fascia

Fascias may require adjustment for correct alignment. This is achieved with the adjusting mechanisms under the interior covercap.

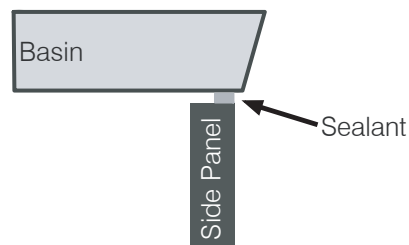


BASIN FITTING INSTRUCTIONS

Note: Product shown is the CM600FD Compass Floor Mounted Double Drawer Unit.



- Once the basin is plumbed in, finish by securing to the washstand or wall with a silicone sealant (not supplied). This creates a water tight seal and prevents damage.
- Ensure silicone / sealant sits on outer edge of furniture to prevent any water pooling, see diagram for positioning.



FITTING HANDLES

- Pilot holes on back face of door are positioned for the handle(s) included with furniture unit. Other handle options may require different drilling depending on spacing and intended location of handle.
- If alternative handles are used please measure carefully before drilling.
- Carefully drill any holes using a clamped non-abrasive block of wood to protect the front of door, see diagram.
- Fix handle in positioning using screws supplied.

