

# HiB

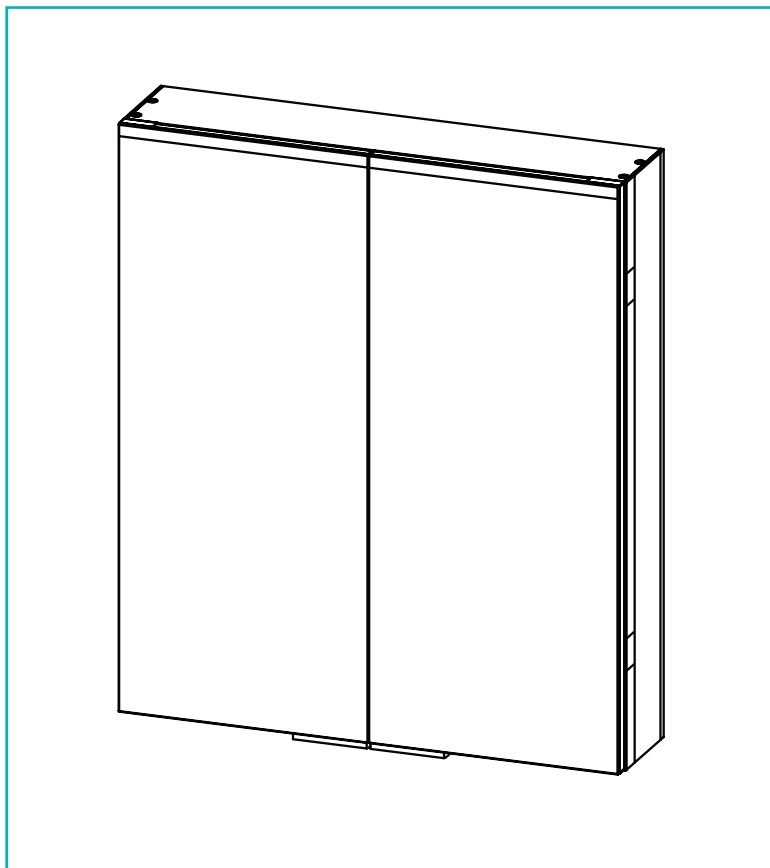
MAKING  
**BATHROOMS**  
BEAUTIFUL

## ETHER

Ether 50: Art No 50500

Ether 60: Art No 50600

Ether 80: Art No 50700



**Thank you for purchasing this HiB product.**

Please read through these instructions carefully and refer back to them during installation to ensure that your product is fitted safely and that it retains its high quality finish.

## Electrical Safety Information

HiB recommends that all electrical bathroom products must be installed in accordance with current building and wiring regulations.

**If in doubt please contact an electrician.**

**Before drilling ensure that there are no hidden cables or pipes in the wall.**

## Warnings for Safe Use

- This product is intended for Domestic Use only.
- Please read the instructions and warnings carefully before installing the product and ensure this document is kept with the product for future reference to ensure product longevity and in the interest of safety.
- If you give the product to another person, please give them this manual as well.
- If any modification is made it will invalidate the warranty and may render the product unsafe.
- This product is IP44 rated and suitable for installation in Zones 2 and Outside Zones according to the IEE regulations.
- It is not suitable for use in saunas, steam rooms and shower cubicles.
- Appropriate circuit protection should be available for the product.
- When drilling use appropriate eye protection.
- The use of a Residual Current Device (RCD) is advised for any power tools used during the installation of this product.
- Take suitable precautions when handling glass.
- Beware of hidden cables or pipes. Take care if drilling on tiled surfaces in case the drill slips.
- Always switch off the electrical supply to the product at the mains during installation and maintenance.
- It is recommended that this product is installed by a person who is able to meet the level of competence required in order to comply with relevant regulations. If in doubt consult a qualified tradesperson.
- Do not enter IP44 box unless competent and item is isolated from mains.
- Do not use if glass is broken or unsafe.
- Do not use if any electrical wires appear damaged or degraded.
- Do not overload shelves or unit.
- This product is designed for installation into a brick or masonry block wall, if mounting onto other substrate ensure appropriate fixing and batons (if required) are used and the load bearing of the wall is sufficient.
- It is recommended that this product is installed by two people.
- Dispose of packaging in accordance to local authority regulations.
- At end of life dispose of item according to local authority regulations.

# Electrical Information

This product contains a light source of energy efficiency class **E**



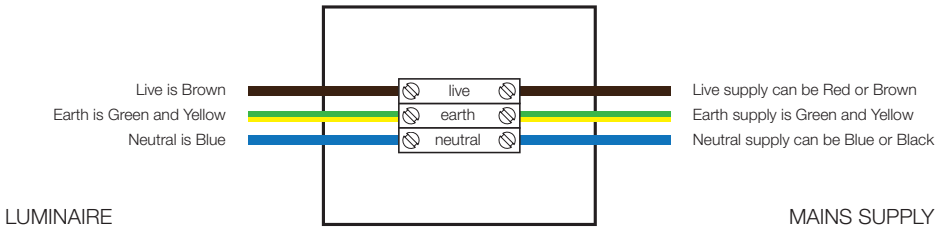
Fig 1. - Zonal Diagram

All installations must comply with guidelines which are based on a zonal concept and must be followed to ensure the safe installation of electrical appliances in the bathroom.

These regulations apply to domestic installations only. Installations must be made in accordance with the current IEE wiring regulations and relevant building regulations.

This product is IP44 rated and is suitable for installation in zones: **2 & Outside Zone**

## Wiring Diagram



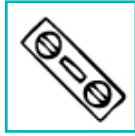
## What's in the Box?

- Ether Cabinet
- Glass shelves
- Mounting bracket
- Fittings pack

## Tools Required



Pencil



Spirit Level



Drill



Drill bit



Screwdriver

## Figures

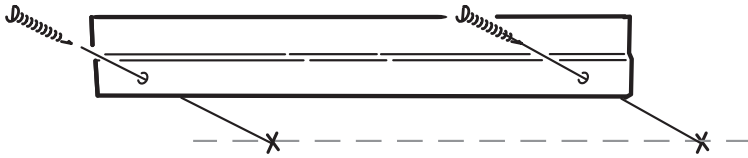


Fig. 2. - Mounting Bracket

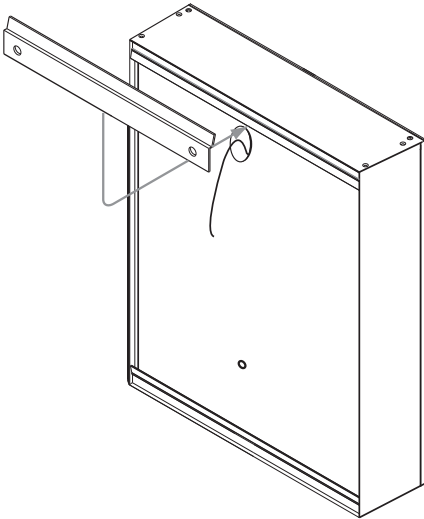


Fig. 3. - Mounting Point

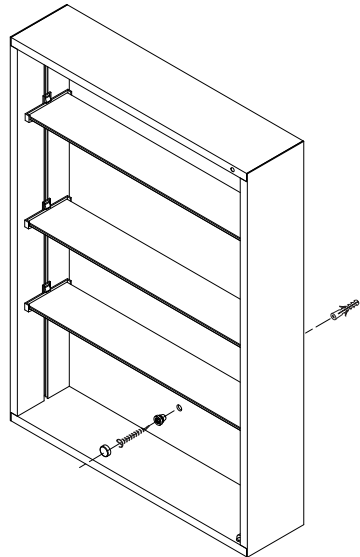


Fig. 4. - Internal fixing point

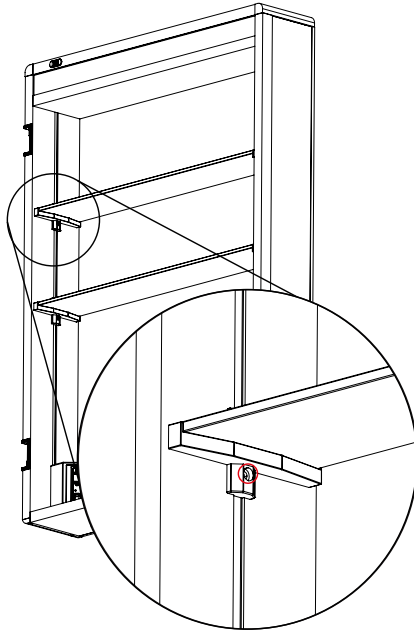


Fig. 5. - Shelf Bracket Adjustment

**Before installation, ensure the domestic electrical mains supply to which the cabinet is to be connected is turned off. Before drilling, ensure that there are no hidden cables or pipes in the wall.**

**It is recommended that this product is installed by two people.**

1. Position the cabinet in a suitable location, *according to the zonal diagram on page 3, Fig. 1*, ensuring that the mains supply cable is within reach of the cable connection point of the cabinet.
2. Carefully mark the desired position of the top of the cabinet on the wall using a soft pencil.
3. Remove the cabinet from the wall and using a spirit level, mark a horizontal line 40mm below the pencil mark. Hold the mounting bracket in place with the holes corresponding with the marked line. Ensure the bracket is central, and mark the position of the holes, *see Fig. 2*.
4. **Before drilling, ensure there are no hidden cables or pipes behind the mounting points.** Drill the required holes in the marked positions. If drilling through tile, use a ceramic drill bit. Insert the wall plugs level with the surface of the wall. If fitting to a tiled surface, wall plugs should be inserted below the tile surface to avoid cracking. **NB. For plasterboard walls, specialist fixings should be purchased, available from any DIY or hardware store. Fix the bracket to the wall using the screws provided.**
5. Temporarily hang the cabinet on the top bracket, *see Fig. 3*, and mark the position of the bottom mounting hole on the wall using a soft pencil, then remove the cabinet from the wall, *see Fig. 4*.
6. Drill a hole in the wall where you have marked with the soft pencil. Insert a wall plug level with the surface of the wall *as per step 4*.
7. **Ensure the domestic electrical mains supply to which the product is being connected is turned off.** Connect the domestic mains supply *according to the wiring diagram on page 3*.
8. When the product is wired correctly, hang the cabinet on the top bracket, *Fig. 3*, and secure the cabinet with a screw through the bottom mounting hole, *see Fig. 4*. **Take care not to overtighten the screw against the mirror glass, the screw is not load bearing** - It is only intended to prevent the cabinet from moving away from the wall.
9. When the cabinet is correctly fitted, adjust the shelf support brackets to your desired height ensuring the matching brackets are level. This is done by slightly loosening the screw, do not remove the screw completely. Once in position tighten screw to secure the bracket and put the glass shelf into the shelf support bracket, *see Fig. 5*.

**NB. Cabinets must be installed with a minimum distance of 150mm between the infra-red sensor switch and any adjacent wall or object to ensure correct operation of the sensor.**

## Operation

### To switch on/off

1. Wave hand past the sensor switch underneath the right hand side of the cabinet, see Fig. 6.
2. Heated pad is on when the cabinet is illuminated.

### Charging Socket(s) and USB

Charger socket(s) are suitable for charging and powering electric razors, trimmers and toothbrushes. Some cabinets may contain multiple charging sockets. *NB. On first use of the charger socket, inserting the plug may prove to be stiff. Reasonable force may be required to fully insert the plug. After a few uses, stiffness will ease and the socket will function as normal.*

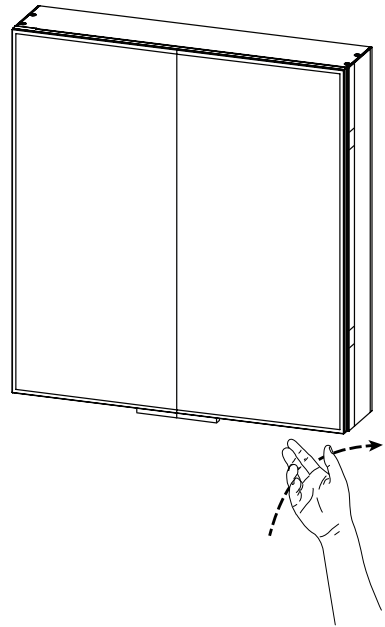


Fig. 6. - Switch operation

## Care

To preserve the high quality finish of your HiB product, please ensure you regard the following care and cleaning recommendations:

- Avoid leaving excessive standing and surface water on the product for prolonged periods of time.
- Clean the product with water and a soft cloth, a mild detergent may be used if required. Ensure any excess moisture is removed after use.
- **Do not use** abrasive sponges or cleaning agents.

## Aftercare

In the unlikely event that this product should fail please contact the retailer from which the item was purchased.



WEEE compliance

Must not be mixed with  
general household waste

T: +44 (0)20 8441 0352 F: +44 (0)20 8441 0219 E: [sales@hib.co.uk](mailto:sales@hib.co.uk) [hib.co.uk](http://hib.co.uk)

Building 3, North London Business Park, Oakleigh Road South, New Southgate, London. N11 1GN

©HiB Copyright: No part of this document may be reprinted or duplicated without HiB consent. All sizes and measurements are approximate, but we do try and make sure they are as accurate as possible. In the interest of continuous product development, HiB reserves the right to alter specifications as necessary. E & OE.