

# HiB

MAKING  
BATHROOMS  
BEAUTIFUL



**This product is IP44 rated and suitable for installation in zones: 2 & Outside Zone**

All installations must comply with guidelines which are based on a zonal concept. The diagram above illustrates this concept and must be followed to ensure the safe installation of electrical appliances in the bathroom. These regulations apply to domestic installations only. Installations must be made in accordance with the current IEE wiring regulations and relevant building regulations. **HiB recommends that all electrical bathroom products should only be fitted by a suitably qualified, Part P registered electrician.**

Thank you for purchasing this HiB product.

Please read through these instructions carefully and refer back to them during installation to ensure that your product is fitted safely and that it retains its high quality finish.

Please retain this leaflet for future reference.

**Before installation, ensure the domestic electrical mains supply to which the mirror is to be connected is turned off. Before drilling, ensure that there are no hidden cables or pipes in the wall.**

### Operation Instructions

To turn illumination on or off, wave hand under the sensor switch. Heated Pad is only on when mirror is illuminated.

### Care Instructions

Do not use abrasives or solvents when cleaning this product. Wipe off all water spillages as soon as possible using a soft, damp cloth.

### Aftercare Service

In the unlikely event that this product should fail please contact HiB customer services, details shown below.

### Charging Socket

The charging socket is suitable for charging and powering electric razors, trimmers and electric toothbrushes. *NB. On first use of the charger socket, inserting the plug may prove to be stiff. Reasonable force may be required to fully insert the plug. After a few uses, stiffness will ease and the socket will function as normal.*

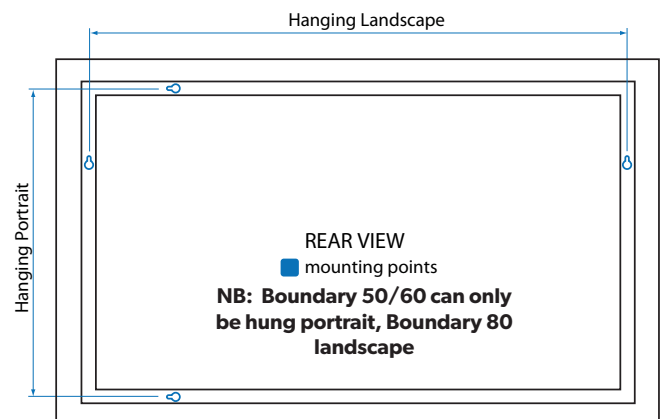
## Illuminated Mirrors

Beam 50 Art No. 79550500 / Beam 60 Art No. 79550600  
Beam 80 Art No. 79550700 / Boundary 50 Art No. 79540500  
Boundary 60 Art No. 79540600 / Boundary 80 Art No. 79540700

### Installation

1. Position the mirror in a suitable location (according to the zonal diagram - Fig. 1), ensuring that the domestic electrical mains supply is within reach of the cable connection point of the product.
2. Carefully mark the position of the mirror using a soft pencil ensuring it is level. Remove the mirror and mark the mounting points (see Fig. A) **Please ensure that all marked mounting points accurately match up with the fixing points on the mirror.**
3. Using a suitable drill bit, drill holes in the marked positions to a suitable depth. If drilling through tile, use a ceramic drill bit.
4. Insert wall plugs level with the surface of the wall. If fitting to a tiled surface, wall plugs should be inserted below the tile surface to avoid cracking. *NB. For plasterboard walls, specialist fixings should be purchased, available from any DIY or hardware store.*
5. Screw supplied fixings into wall plugs.
6. **Ensure the domestic electrical mains supply to which the mirror is being connected is turned off.** Connect the domestic mains supply to the terminal box according to the wiring diagram opposite (Fig. B) overleaf.
7. Hang the mirror in position.
8. Switch the domestic electrical mains supply for the mirror back on.

### Mounting Points Diagram (Fig. A)



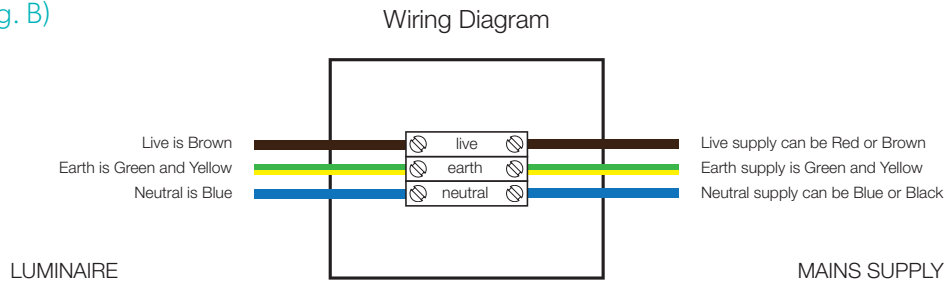
**NB. These products must be installed with a minimum distance of 150mm between the infra-red sensor switch and any adjacent wall or object to ensure correct operation of the sensor.**

T: +44 (0)20 8441 0352 F: +44 (0)20 8441 0219 E: sales@hib.co.uk [hib.co.uk](http://hib.co.uk)

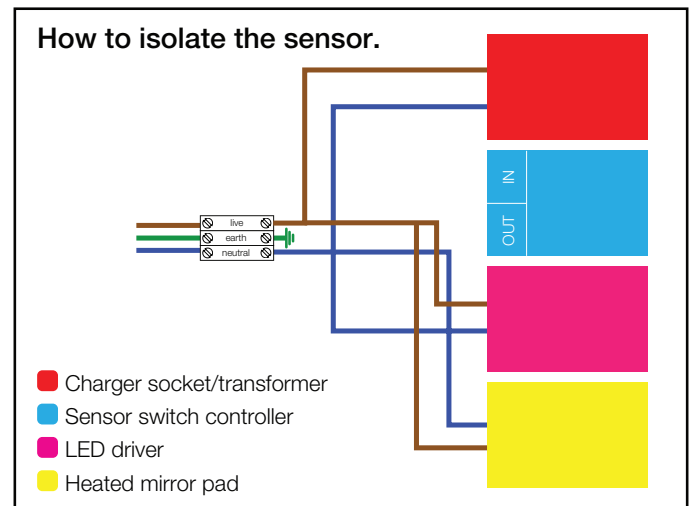
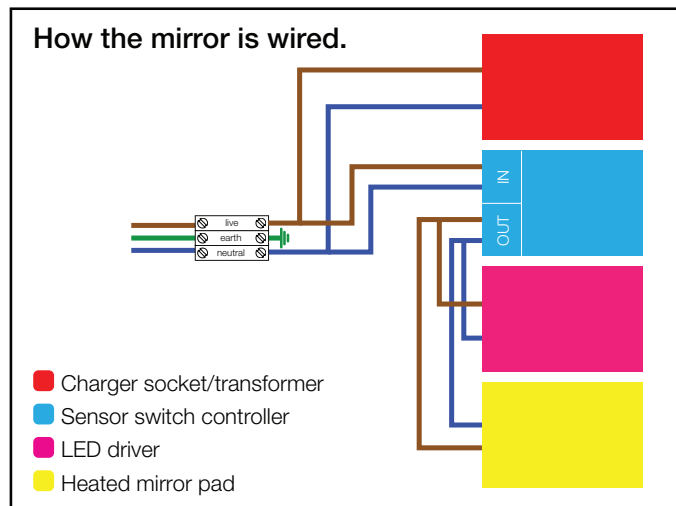
Building 3, North London Business Park, Oakleigh Road South, New Southgate, London. N11 1GN Fl#01 026 R211027 Ver No. 1.0 Jan 2019

©HiB Copyright: No part of this document may be reprinted or duplicated without HiB consent. All sizes and measurements are approximate, but we do try and make sure they are as accurate as possible. In the interest of continuous product development, HiB reserves the right to alter specifications as necessary. E & OE.

## Wiring Diagram (Fig. B)



## How to Isolate the sensor so you can switch ON & OFF with a mains switch (Fig. C)



Rewire the mirror as shown in the diagram above. HiB recommends that all electrical bathroom products should only be fitted by a suitably qualified, Part P registered electrician.

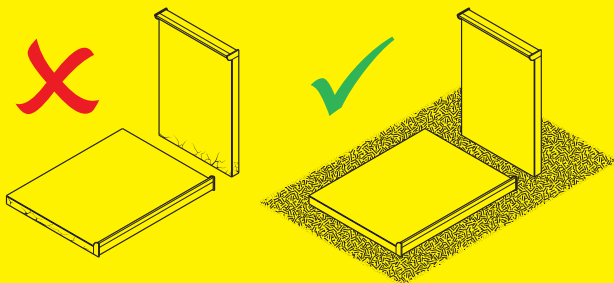
For further assistance on isolating the sensor please contact us at:

Tel: +44 (0)20 8441 0352

Email: [sales@hib.co.uk](mailto:sales@hib.co.uk)

## Caution

We recommend that you place this mirror on a soft flat surface to ensure no breakages. We also recommend that you leave corner protectors on until final fitting



Please do not lift the product by the plastic diffusers as this may cause damage to your product.



WEEE compliance  
Must not be mixed with general household waste

## Electrical Information

This product contains a light source of energy efficiency class **E**

T: +44 (0)20 8441 0352 F: +44 (0)20 8441 0219 E: [sales@hib.co.uk](mailto:sales@hib.co.uk) [hib.co.uk](http://hib.co.uk)

Building 3, North London Business Park, Oakleigh Road South, New Southgate, London. N11 1GN

©HiB Copyright: No part of this document may be reprinted or duplicated without HiB consent. All sizes and measurements are approximate, but we do try and make sure they are as accurate as possible. In the interest of continuous product development, HiB reserves the right to alter specifications as necessary. E & OE.