

Artesan®

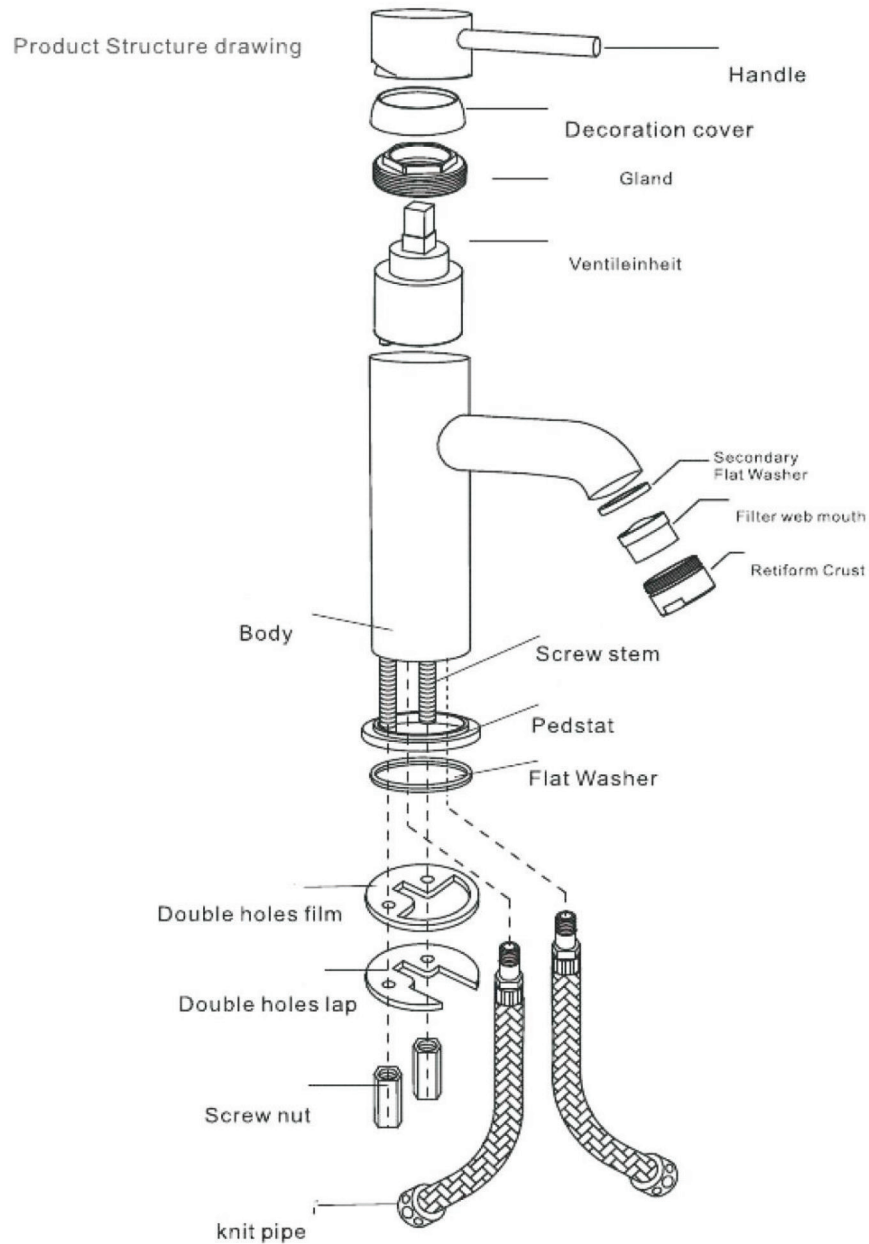
Two in One Washbasin + Toilet

Product code

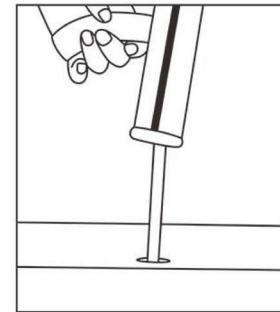
134.211

claygate ■■

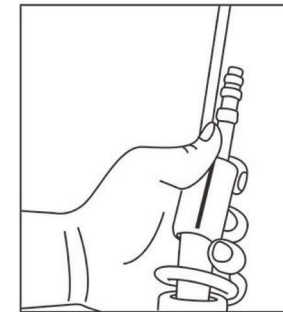
Mono Basin mixer installation instructions



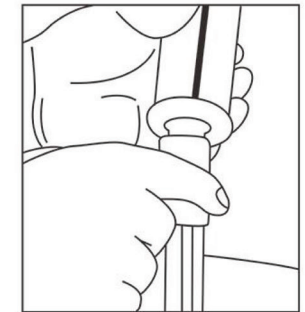
Mono Basin mixer installation instructions



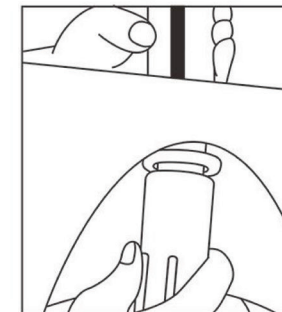
1. Fixed with one of flexi pipe



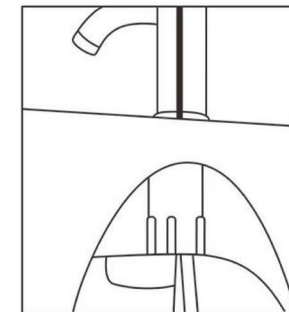
2. Fixed fix 2nd pipe with the film and lap at the bottom



3. Tigten the lap and back nut

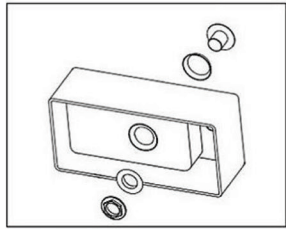


4. Tigten the cover

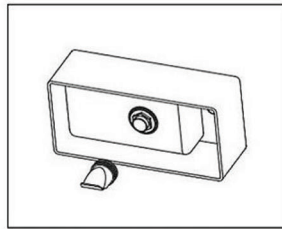


5. Finished

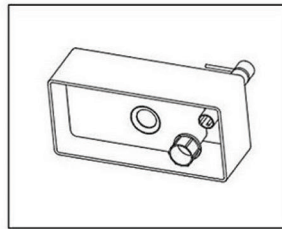
INSTALLATION OF 2 IN 1 WC & BASIN



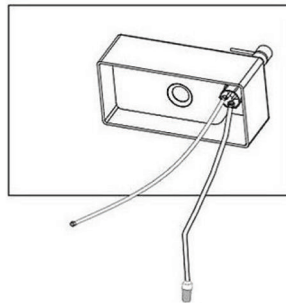
Step 1: Place and fix the waste and washer.



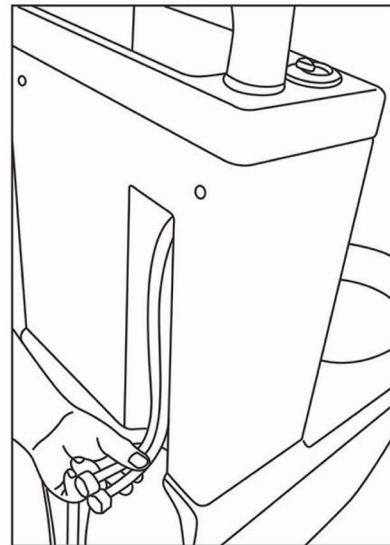
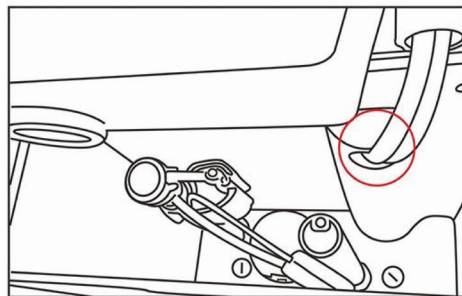
Step 2: Fit the Silicone sleeve on the bottom of the waste.



Step 3: Place the tap and tightly screw the fixing nut.



Step 4: Connect hot & cold water hose to the tap and connect the other end to outlet of the cistern.



INSTALLATION OF WASH BASIN



Note: During installation, please ensure there is enough distance between the float of the inlet valve and the hoses, make sure there is no resistance to the normal operation of the inlet valve.

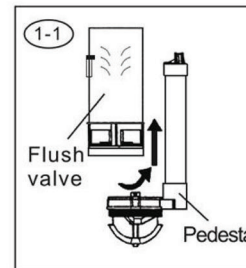
Installation Steps

I. Preparation before Installation

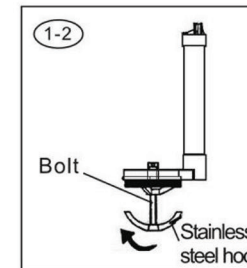
Remove the old fittings and wash tank before installation. And wash clean because many impurities probably existed in conduit.

II. Flush Valve Installation (According to the actual need)

1. Stainless steel hook for one-piece flush valve installation



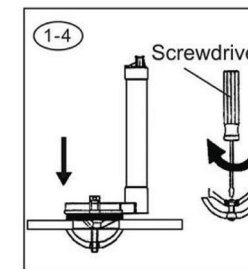
Contrarotate drainage body and make it remove from pedestal.



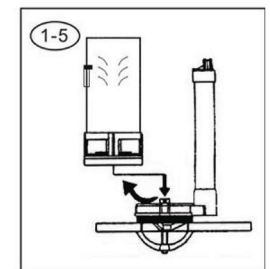
Circumrotate stainless steel hook to the end of bolt clockwise.



Let pedestal aim at the water tank scupper, deflect properly, circumrotate, and, the stainless steel hook can reach the scupper downside, then, revise the pedestal, the sealing washer should put upside. Go through the pedestal by the middle finger of left hand to keep off stainless steel hook and make its both sides put around the outfall symmetrically.

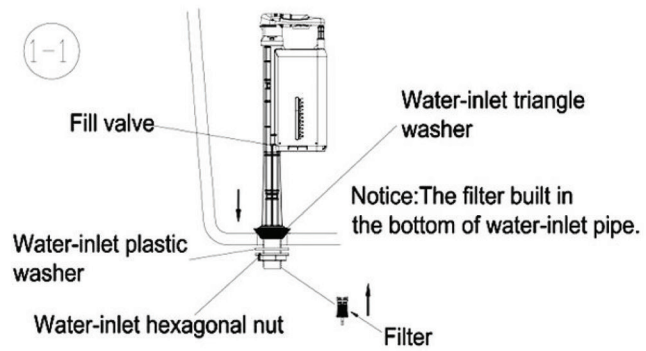


Circumrotate bolt by screwdriver and be sure that seal between sealing washer and the surrounding for outfall.

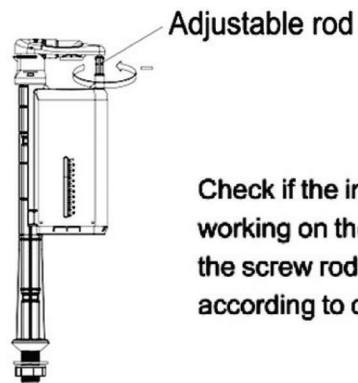


Let flush valve body insert into pedestal and circumrotate it inside the buckle clockwise.

B. Inlet valve install



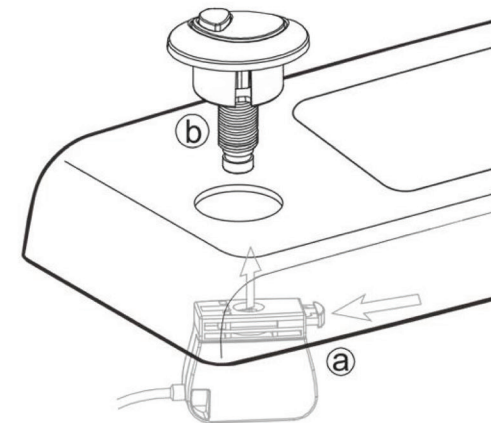
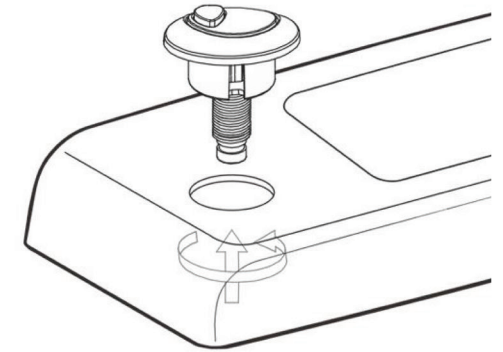
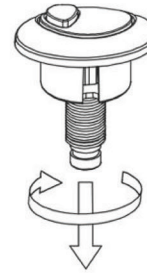
Put fill valve & water-inlet triangle washer insert into water-inlet hole of water tank, then, cover water-inlet plastic washer and hexagonal nut in turn from the bottom of fill valve. Fastening water-inlet hexagonal nut and make a proper adjust according to the size of water tank.



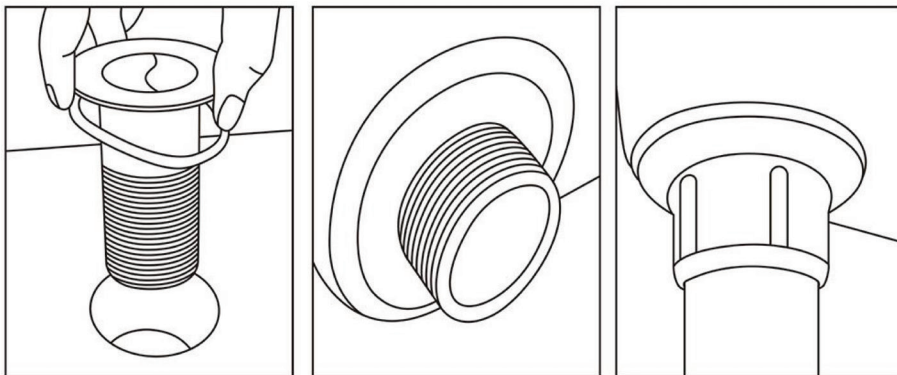
Check if the inlet valve arte working on the rails and adjust the screw rod clockwise according to demands.

Flush button installation

Button installation for top ceramic hole



Basin waste installation instruction



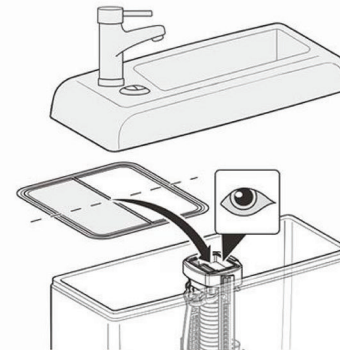
1.Fixed the flim first and
put in the hole

2.Fixed another flim at
the bottom

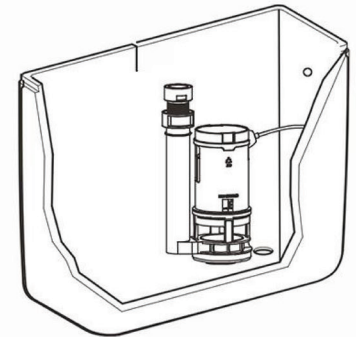
3.Tighten the screw and
finished

Installation of the water tank

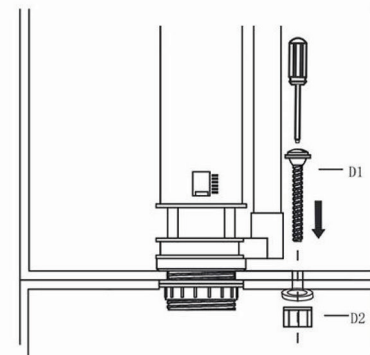
01.)



02.)

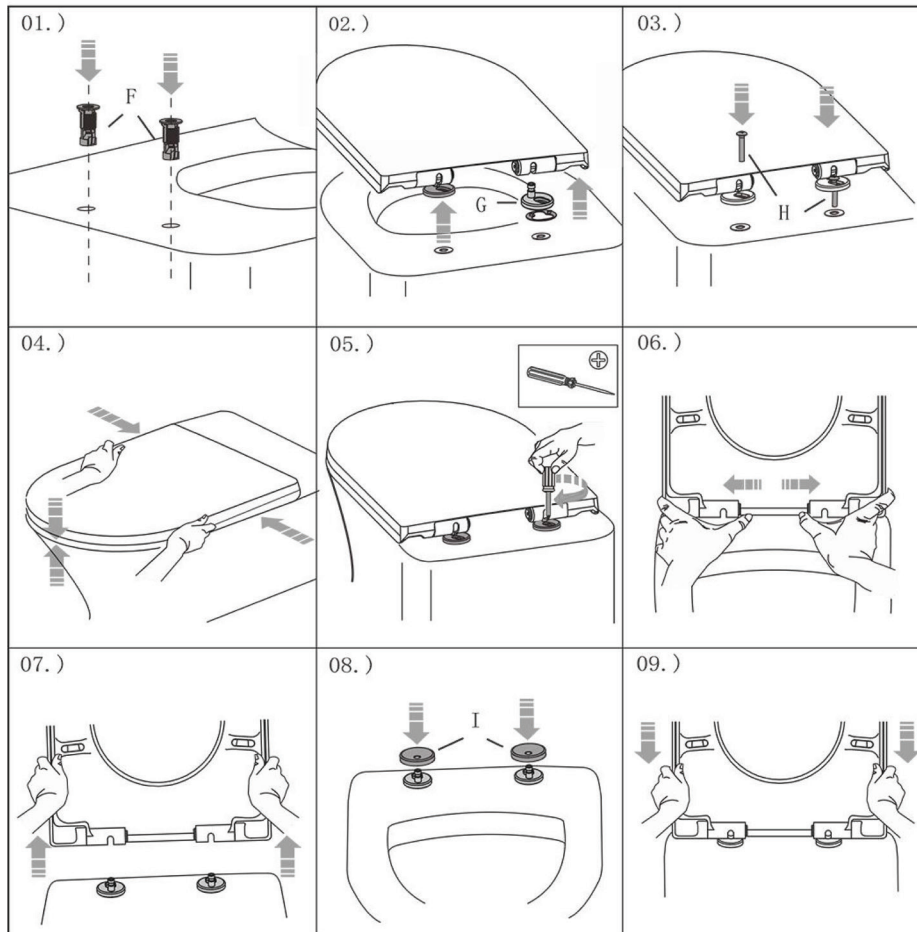


03.)



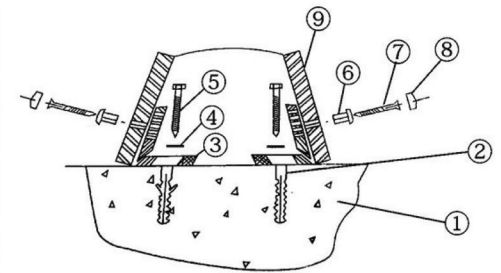
PAN TO FLOOR FIXING KIT INSTALLATION GUIDE

Installation of the toilet seat



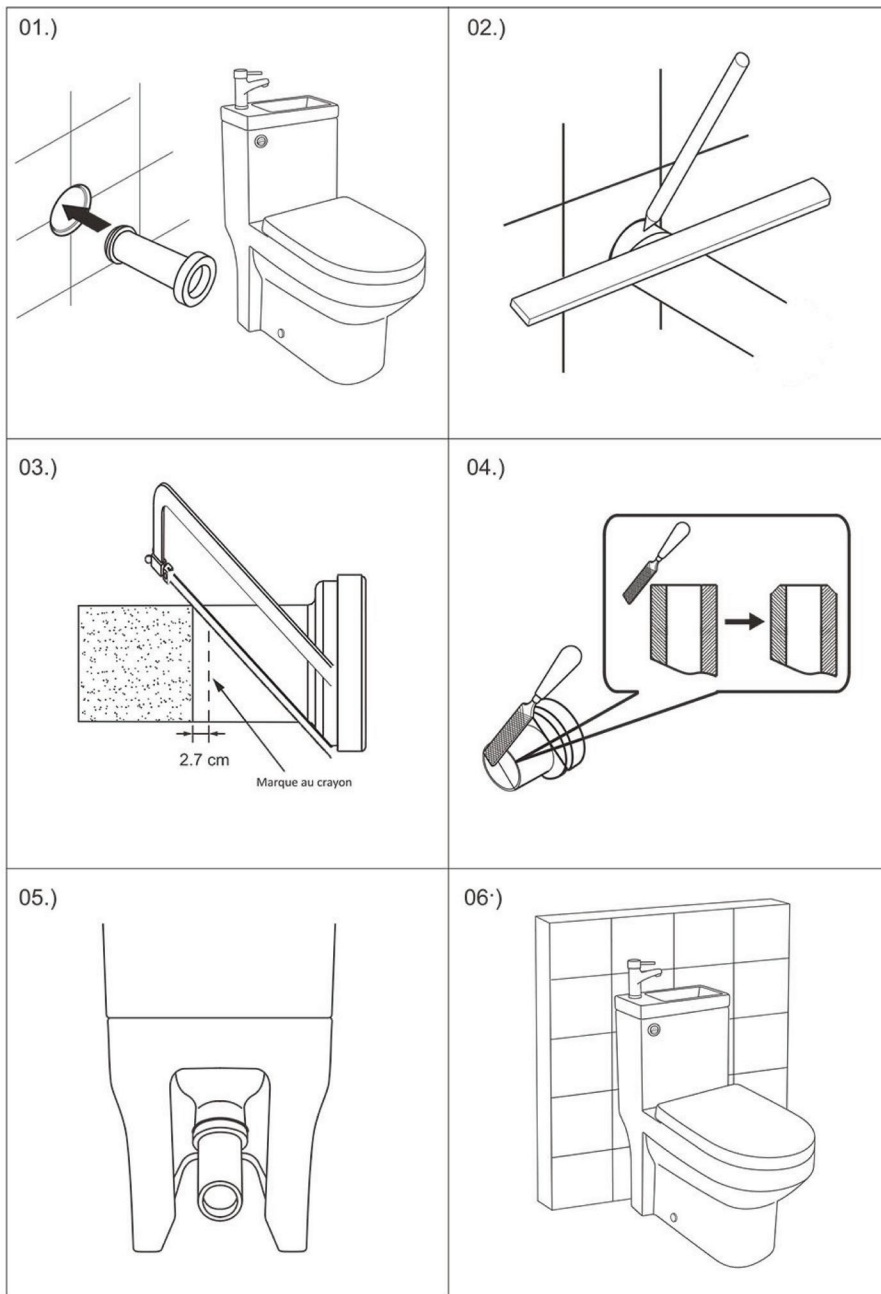
Please read these instructions carefully prior to starting the installation.
Check the component list to parts to ensure you have a complete set.
Retain this instruction for future requirements.

Number	Item	Quantity
1	Flat floor	Not included
2	Rawlplug	Two
3	Fixing bracket	Two
4	Metal Washer	Two
5	Floor fixing screw 68mm	Two
6	Screw guide	Two
7	Pan fixing screw 52mm	Two
8	Chrome or White screw cap	Two



1. The toilet and cistern should be installed on a flat clean floor.
2. Once the correct position for the suite has been decided, mark the floor fixing holes, remove suite and drill floor where marked.
3. As shown in figure above insert rawlplug (2) into hole in the floor, put the fixing bracket (3) and the metal washer (4) over the hole and tighten using the screw (5).
4. Place the suite over the fixing bracket and line up with the pan anchor holes, insert screw guide (6) into anchor holes, using pan fixing screw (7) insert into screw guide (6) and tighten onto fixing bracket (3). Do not over tighten as this could cause damage to the pan.
5. Place chrome or white screw cap (8) onto pan fixing screw (7), press firmly.
6. After installation, please check the suite is firmly in place.

Installation of the water pipe (horizontal)



Installation of the toilet base

