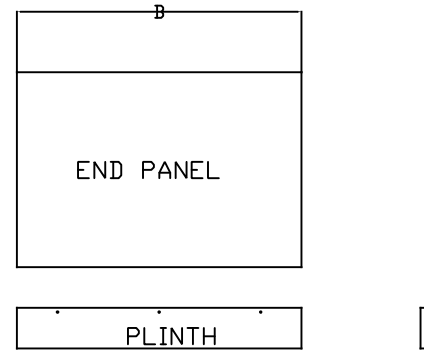
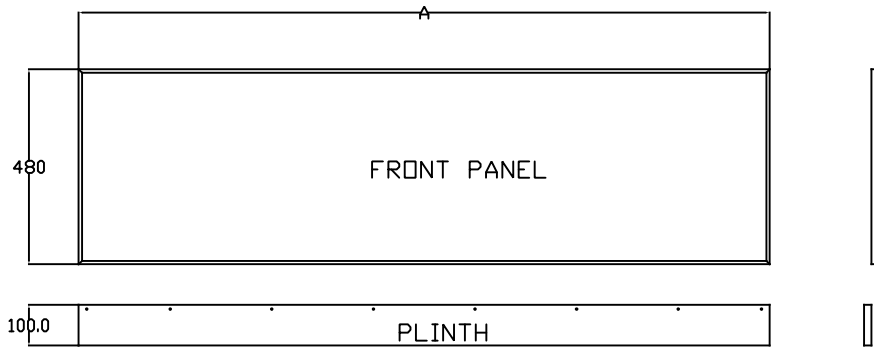
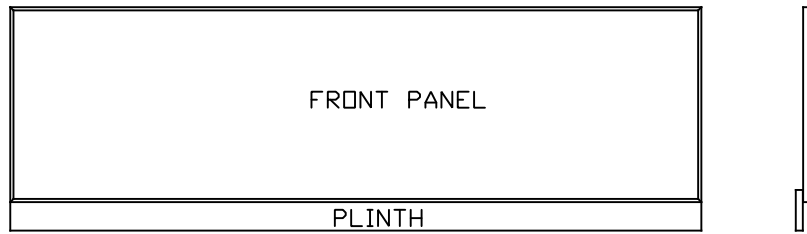


DO NOT SCALE THIS DRAWING

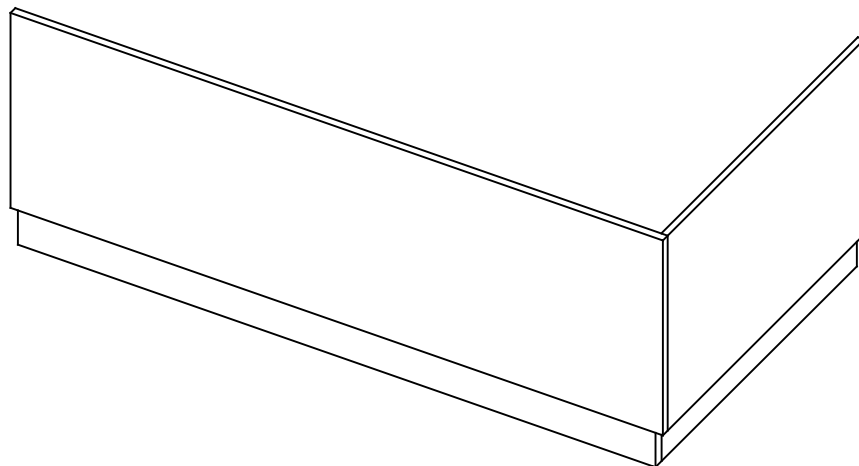
REMOVE SHARP EDGES



MIN 480
MAX 550



PANEL SIZE	DIM A	DIM B
1500	1500	-
1700	1700	-
1800	1800	-
1900	1900	-
700	-	700
750	-	750
800	-	800
900	-	900



FOR REFERENCE ONLY

DIMENSIONS ARE IN MILLIMETRES				ISS. No.	ALTERATION	Mod No.	DATE	SIG.
DR'N.		DATE		A	ORIGINAL			
CH'D.		SCALE	1:10					
APP'D.		MAT'L						
				SHEET 1 OF 1		TITLE		
				FIRST ANGLE PROJECTION		MDF BATH PANEL		
						CODE No.	DRG.No.	